

5.15-5.875GHz 20dBi ARC Pilot™ for ARC IES™, Integrated Enclosure Solution



- ◆ Transparent cable access cover for LED viewing
- ◆ Cost effective Integrated Plastic Enclosure Solution
- ◆ IP-65 rated
- ◆ Patent pending non-gasket design
- ◆ Desktop or pole mount options
- ◆ Low profile and rugged design for outdoor use
- ◆ US Engineered
- ◆ Manufactured under strict US quality control procedures

ARC-IP5820S01

| Electrical Specifications | |
|--------------------------------------|----------------------------|
| Frequency Range | 5.15-5.875 GHz |
| Gain | 20.3 dBi typical |
| 3dB Beamwidth Vertical/Horizontal | 14 deg/11 deg |
| Polarization | Single linear, vertical |
| VSWR | ≤1.5:1 typical, 1.7:1 max |
| Front-to-Back Ratio | ≤35 dB |
| Cross Polarization | ≤20 dB |
| Power Rating | 6 watts |
| Impedance | 50 ohms |
| Lightning Protection | DC ground |
| Connector Type | R/A SMA Jack |

| Ordering Information | |
|--|---|
| Part # | Description |
| ARC-IP5820S01 | 5.15-5.875GHz 20dBi, R/A SMA Jack |
| Order with Radio Pigtail Cables Below | |
| Part # | Description |
| ARC-CJ1054S01 | R/A MMCX/SMA Plug, 10" Low Loss Cable |
| ARC-CJ1055S01 | U.FL/SMA Plug, 10" Low Loss Cable |
| Order with 5/8" Tall Adhesive Radio Standoffs Below | |
| Part # | Description |
| ARC-IX9051B01 | For Radios with 0.125" dia. mounting holes |
| ARC-IX9052B01 | For Radios with 0.145"-0.156" dia. mounting holes |
| ADDITIONAL ARC IES™ ACCESSORIES AND RADIO PIGTAIL CABLES ALSO AVAILABLE FOR ORDER | |

| Shipping Information | |
|---|--|
| Sizes and Weights | Description |
| 23.9in x 12.4in x 12.5in, 25lbs (60.7cm x 31.5cm x 31.6cm 11.3 kg) | Package includes 5 single pack boxes in an over-pack box |

www.antennas.com

Specifications subject to change without notice.

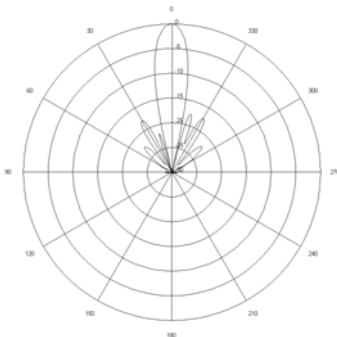
See www.antennas.com for warranty information

5.15-5.875GHz 20dBi ARC Pilot™ for ARC IES™, Integrated Enclosure Solution

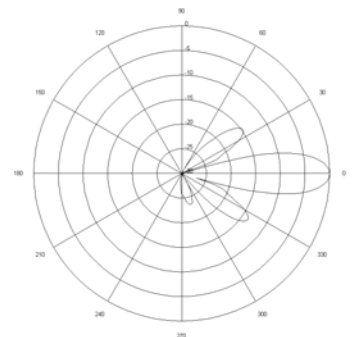


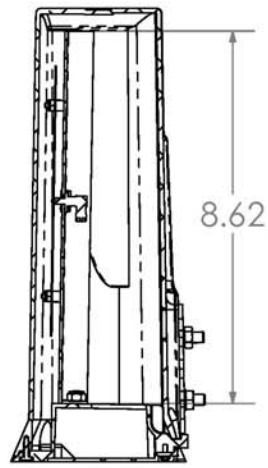
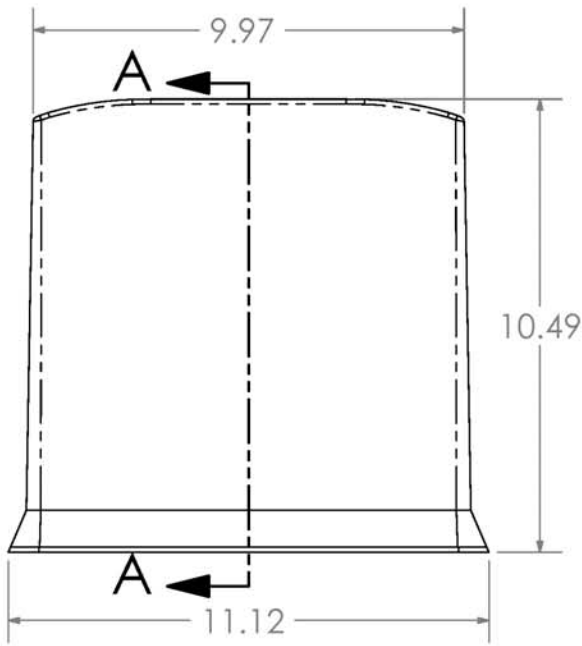
| Mechanical and Environmental Specifications | |
|---|--|
| Length x Width x Depth | 11.12 in x 4.05 in x 10.49 in (28.2 cm x 10.3 cm x 26.6 cm) |
| Radio Area Dimensions | 8.62 in x 9.30 in x 1.16 in (21.9 cm x 23.6 cm x 2.95 cm) |
| Weight | 3.21 bs (1.5 kg) |
| Backplane | Aluminum |
| Radome | UV stabilized ABS plastic, gray |
| Wind Survivability | 125 mph (201 kph) |
| Wind Load | .77 ft ² (0.072 m ²) |
| Operating Temperature Range | -49°F to +149°F (-45°C to +65°C) |
| Pole Mount Diameter Range | 1.3 in—2.0 in (3.3 cm—5.1 cm) |

RF Patterns
Vertical Cut, typ.



RF Patterns
Horizontal Cut, typ.





SECTION A-A

