

# ARC Pilot™

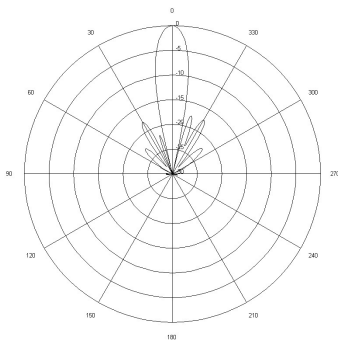
## 5.15-5.875GHz 20dBi

### Part Number: ARC-IP5820S01

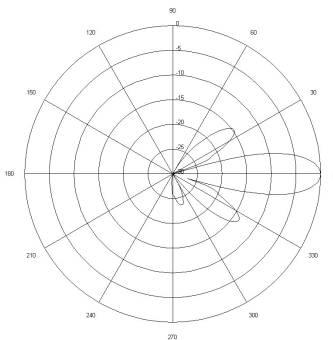


- ◆ Transparent cable access cover for LED viewing
- ◆ Cost effective Integrated Plastic Enclosure Solution
- ◆ IP-65 rated
- ◆ Patent pending non-gasket design
- ◆ Desktop or pole mount options
- ◆ Low profile and rugged design for outdoor use
- ◆ US Engineered
- ◆ Manufactured under strict US quality control procedures

RF Patterns  
Vertical Cut, typ.



RF Patterns  
Horizontal Cut, typ.



Ordering Information	
Part #	Description
ARC-IP5820S01	Pilot, 5.15-5.875GHz, 20dBi, Single Pol, R/A SMA Jack, W/ Bracket
Order with Radio Pigtail Cables Below	
Part #	Description
ARC-CJ1054S01	R/A MMCX/SMA Plug, 10" Low Loss Cable
ARC-CJ1055S01	U.FL/SMA Plug, 10" Low Loss Cable
Order with 5/8" Tall Adhesive Radio Standoffs Below	
Part #	Description
ARC-IX9051B01	For Radios with 0.125" dia. mounting holes
ARC-IX9052B01	For Radios with 0.145"-0.156" dia. mounting holes
<b>ADDITIONAL ARC IES™ ACCESSORIES AND RADIO PIGTAIL CABLES ALSO AVAILABLE FOR ORDER</b>	

Shipping Information	
Sizes and Weights	Description
23.9in x 12.4in x 12.5in, 25lbs (60.7cm x 31.5cm x 31.6cm 11.3 kg)	Package includes 5 single pack boxes in an over-pack box

[www.antennas.com](http://www.antennas.com)

Specifications subject to change without notice.

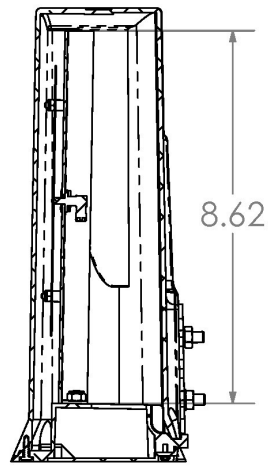
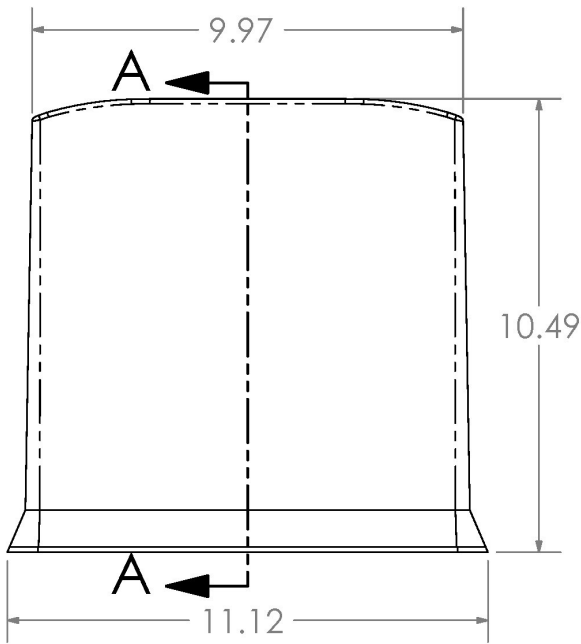
Don't see what you need? Contact us to discuss alternate configurations.

Electrical Specifications	
Frequency Range	5.15-5.875 GHz
Gain	20.3 dBi typical
3dB Beamwidth Vertical/Horizontal	14 deg/11 deg
Polarization	Single linear, vertical
VSWR	≤1.5:1 typical, 1.7:1 max
Front-to-Back Ratio	≤35 dB
Cross Polarization	≤20 dB
Power Rating	6 watts
Impedance	50 ohms
Lightning Protection	DC ground
Connector Type	R/A SMA Jack

Mechanical and Environmental Specifications	
Length x Width x Depth	11.12 in x 4.05 in x 10.49 in (28.2 cm x 10.3 cm x 26.6 cm)
Radio Area Dimensions	8.62 in x 9.30 in x 1.16 in (21.9 cm x 23.6 cm x 2.95 cm)
Weight	3.21 bs (1.5 kg)
Backplane	Aluminum
Radome	UV stabilized ABS plastic, gray
Wind Survivability	125 mph (201 kph)
Wind Load	.77 ft <sup>2</sup> (0.072 m <sup>2</sup> )
Operating Temperature Range	-49°F to +149°F (-45°C to +65°C)
Pole Mount Diameter Range	1.3 in—2.0 in (3.3 cm—5.1 cm)

Page 1 of 2

See [www.antennas.com](http://www.antennas.com) for warranty information



SECTION A-A

