

# ARC VLPA™ Puck Mobile Antenna GPS/Cellular Combo Part Number: ARC-PYXXXXY01



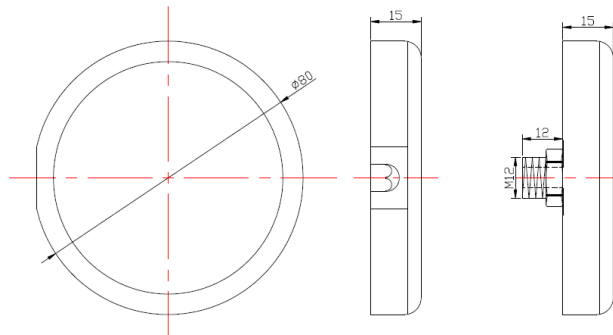
- ◆ High gain, low cost, patented circuit design
- ◆ Low profile, 'puck' design excellent for many different covert vehicular installations
- ◆ IP67 Rated
- ◆ Rugged design, with high temperature UV resistant plastic
- ◆ Many different connector options offered

GPS Electrical Specifications	
Frequency Range	1575.42 MHz ±2 MHz
Gain Patch Antenna @ Zenith LNA	5 dBi typ. 27 dBi typ.
Polarization	RHCP
Axial Ratio	1 dB typ.
VSWR	2.0:1 max.
Impedance	50 ohms
LNA Noise Figure	1.5 dB
LNA Supply Voltage	3.3 V ±0.6 V or 5 V ±1 V
LNA Current Consumption	9 mA typ., 12 mA max.
Standard Cable Type	8ft, 10ft, 13ft or 15 ft LMR100 or equivalent
Standard Connectors	SMA, SMB, FAKRA C, R/A MCX

AMPS/GSM/GPRS/DCS/UMTS Electrical Specifications	
Frequency Range	806-960 MHz 1710-2170 MHz
Gain 806-960 MHz 1710-2170 MHz	-4 dBi typ. 1.4 dBi typ.
Polarization	Linear
VSWR	1.5:1 typ. 2.5:1 max.
Impedance	50 ohms
Power Rating	10 Watts
Standard Cable Type	8ft, 10ft, 13ft or 15 ft LMR100 or equivalent
Standard Connectors	SMA, TNC, FAKRA D

Mechanical & Environmental Specifications	
Diameter	3.18 in (8.08 cm)
Depth	0.6 in (1.52 cm)
Housing Material	UV Stabilized ABS Plastic
Operating Temperature Range	-49°F to +158°F (-45°C to +70°C)
Mounting Interface	Bolt-thru, Magnetic or Adhesive mounts

Dimension (Unit: mm)



**See next page for Ordering Information**

NOTE: These products are considered "Special Order" with a 10-week lead time. Reduced lead times are available. Contact ARC for details.

**www.antennas.com**

Don't see what you need? Contact us to discuss alternate configurations

Specifications subject to change without notice  
See [www.antennas.com](http://www.antennas.com) for warranty information



# ARC VLPA™ Puck Mobile Antenna GPS/Cellular Combo Part Number: ARC-PYXXXXY01



<b>Ordering Information</b>	
Part #	Description
ARC-PK0808S01	GPS/Cellular Combo Puck, bolt-thru, 8 ft cable, GPS-SMB Plug, GSM-SMA Plug
ARC-PK1003B01	GPS/Cellular Combo Puck, bolt-thru,10 ft cable, GPS-FAKRA C, GSM-FAKRA D
ARC-PK1004B01	GPS/Cellular Combo Puck, bolt-thru,10 ft cable, GPS-SMA Plug, GSM-SMA Plug
ARC-PK1006B01	GPS/Cellular Combo Puck, bolt-thru,10 ft cable, GPS-SMA Plug, GSM-TNC Plug
ARC-PK1008B01	GPS/Cellular Combo Puck, bolt-thru,10 ft cable, GPS-SMB Plug, GSM-SMA Plug
ARC-PK1013B01	GPS/Cellular Combo Puck, bolt-thru,10 ft cable, GPS-SMA Plug, GSM-SMC Plug
ARC-PK1503B01	GPS/Cellular Combo Puck, bolt-thru,15 ft cable, GPS-FAKRA C, GSM-FAKRA D
ARC-PK1504B01	GPS/Cellular Combo Puck, bolt-thru,15 ft cable, GPS-SMA Plug, GSM-SMA Plug
ARC-PK1506B01	GPS/Cellular Combo Puck, bolt-thru,15 ft cable, GPS-SMA Plug, GSM-TNC Plug
ARC-PK1508B01	GPS/Cellular Combo Puck, bolt-thru,15 ft cable, GPS-SMB Plug, GSM-SMA Plug
ARC-PK1513B01	GPS/Cellular Combo Puck, bolt-thru,15 ft cable, GPS-SMA Plug, GSM-SMC Plug
ARC-PM0808S01	GPS/Cellular Combo Puck, magnetic, 8 ft cable, GPS-SMB Plug, GSM-SMA Plug
ARC-PM1003S01	GPS/Cellular Combo Puck, magnetic, 10 ft cable, GPS-FAKRA C, GSM-FAKRA D
ARC-PM1004S01	GPS/Cellular Combo Puck, magnetic, 10 ft cable, GPS-SMA Plug, GSM-SMA Plug
ARC-PM1006S01	GPS/Cellular Combo Puck, magnetic, 10 ft cable, GPS-SMA Plug, GSM-TNC Plug
ARC-PM1008S01	GPS/Cellular Combo Puck, magnetic, 10 ft cable, GPS-SMB Plug, GSM-SMA Plug
ARC-PM1013S01	GPS/Cellular Combo Puck, magnetic, 10 ft cable, GPS-SMA Plug, GSM-SMC Plug
ARC-PM1503S01	GPS/Cellular Combo Puck, magnetic, 15 ft cable, GPS-Fakra C, GSM-Fakra D
ARC-PM1504S01	GPS/Cellular Combo Puck, magnetic, 15 ft cable, GPS-SMA Plug, GSM-SMA Plug
ARC-PM1506S01	GPS/Cellular Combo Puck, magnetic, 15 ft cable, GPS-SMA Plug, GSM-TNC Plug
ARC-PM1508S01	GPS/Cellular Combo Puck, magnetic, 15 ft cable, GPS-SMB Plug, GSM-SMA Plug
ARC-PM1513S01	GPS/Cellular Combo Puck, magnetic, 15 ft cable, GPS-SMA Plug, GSM-SMC Plug

Don't see what you need? Contact us to discuss alternate configurations

**[www.antennas.com](http://www.antennas.com)**